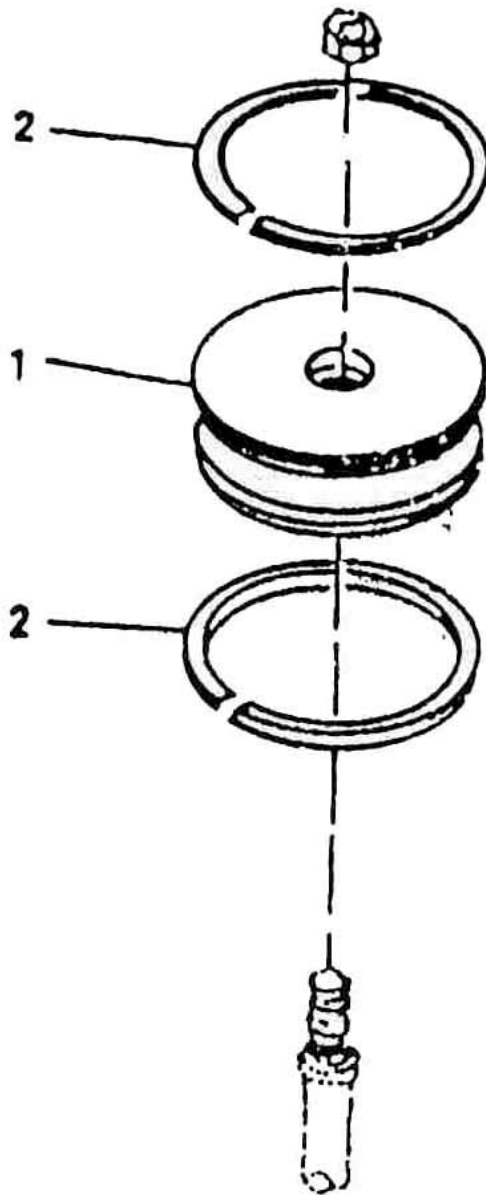


## 18. ASSEMBLY PISTON - MODEL 9.5 x 5 LUB



All manufacturer's names, numbers, photos, product description and/or part numbers are used for reference purposes only & it is not implied that any part listed is the product of these manufacturers. Since Approvement are made from time to time, the illustration and specifications are subject to change without notice.

## 18. ASSEMBLY PISTON - MODEL 9.5 x 5 LUB

No.	Description	Ref Part No.	QTY
–	Assembly Piston	70232798	–
1	– Piston Complete	70426176	1
2	– Ring Piston	95003307	2